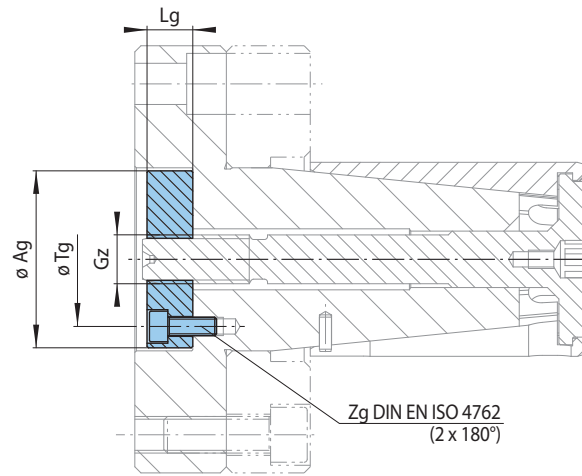


### Assembly group for hand clamping (optional)



41-1

for size	Max. permissible tightening torque $M_A$ Nm	$A_g$ mm	$G_z$	$L_g$ mm	$T_g$ mm	$Z_g$	Art.-No.
BKDF 6	5	36	M 5	8	24	M 5	036900
BKDF 7	5	36	M 5	8	24	M 5	036900
BKDF 12	20	36	M 8	8	24	M 5	036902
BKDF 18	24	36	M 8	8	24	M 5	036902
BKDF 19	51	48	M 12	12	34	M 6	048900
BKDF 27	62	48	M 12	12	34	M 6	048900
BKDF 32	113	58	M 16	15	44	M 6	058900
BKDF 43	134	58	M 16	15	44	M 6	058900
BKDF 44	140	58	M 16	15	44	M 6	058900
BKDF 54	159	58	M 16	15	44	M 6	058900